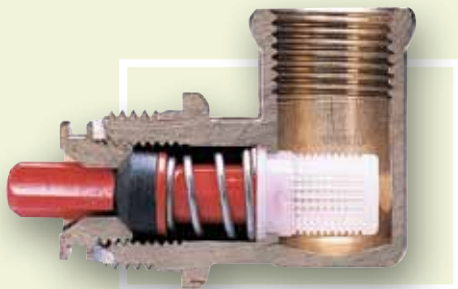


REF	DESIGNATION	PACKAGING
30-01	F11 Cast iron with Polycoat. Synthetic horizontal paddle. Brass 3/4" valve (female)	Plastic bag
30-05	Same as 30-01	Carton apiece
30-02	F11 Cast iron with Polycoat. Synthetic vertical paddle. Brass 3/4" valve (female)	Plastic bag
30-06	Same as 30-02	Carton apiece
30-03	F11 Polycoat. Stainless steel horizontal paddle. Brass 3/4" valve (f)	Plastic bag
30-07	Same as 30-03	Carton apiece
30-08	F11 "T" Polycoat. Synthetic vertical paddle with locking bracket and tee fitting. Brass 3/4" valve	Plastic bag
30-09	Same as 30-08	Carton apiece
30-04	F11 enamelled. Stainless steel paddle. Brass 3/4" valve	Carton apiece

Very simple valve:



- Brass valve.
- Easily removable to the front.
- With red flow control valve for up to 4 bars (56 psi) (13 l./min (3,43 USG/min)).
- Pressure between 0,5 and 2 bars (7 - 28 psi): order spare part n° 1090714.
- Supply by gravity possible: order spare part n° 1090715.

F11

Ref. 30-01 (Polycoat)

CONNECTION

3/4" (20x27mm)*

Large cast iron bowl with 4 fixing points.

Paddle valve, a best seller for 20 years by now

*1/2" (15 X 21) connection on request



Ref. 30-02

(Polycoat)

CONNECTION

3/4" (20x27mm)*

Ref. 30-04

(Enamelled)



Palette verticale

*1/2" (15 X 21) connection on request

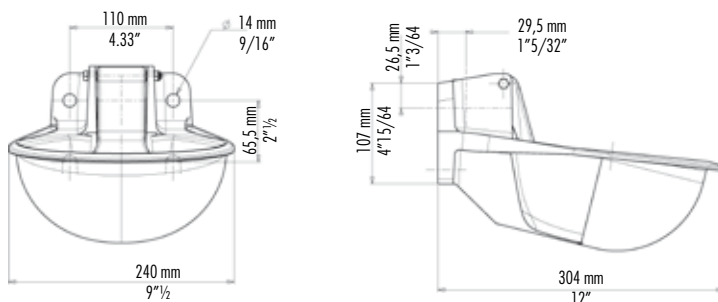


Stainless steel paddle

+ A-315 (see page 58)



FOR THE MOUNTING OF F11



OUR ADVICE

F11 : Classic, solid, reliable... Its value has been proved!